

Cutlass Fasteners, Inc.

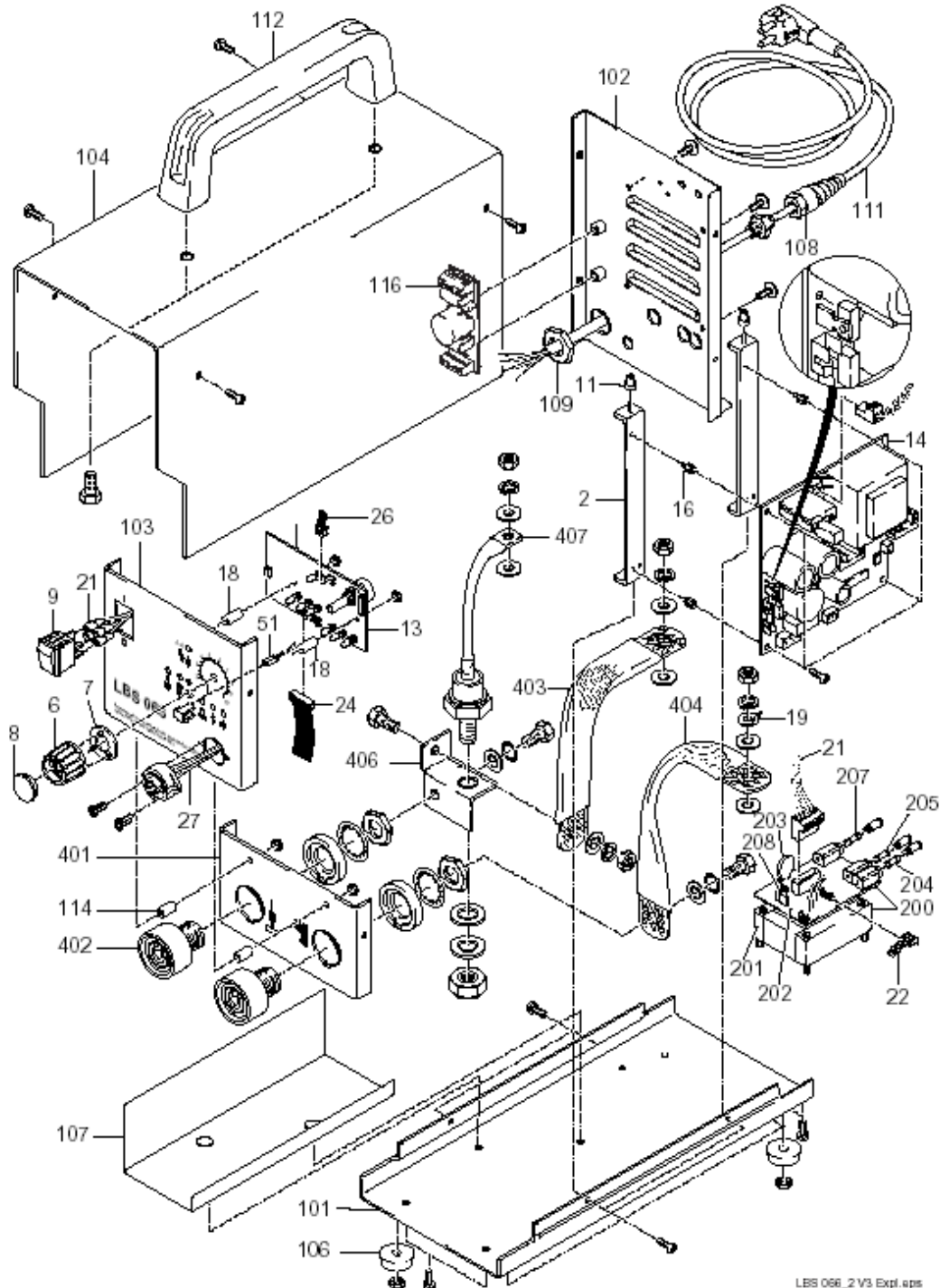
83 Vermont Ave., Unit 6, Warwick, RI 02888
Tel: (401) 732-6333 Fax: (401) 732-6336
cutlass-studwelding.com

Stud Welding...

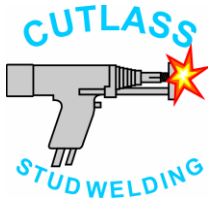
- Fasteners
- Equipment
- Service

CLASSIC+ PARTS LIST

CLASSIC+ CONTROLLER PARTS



LBS 066_2 V3 Expl.sps



Cutlass Fasteners, Inc.

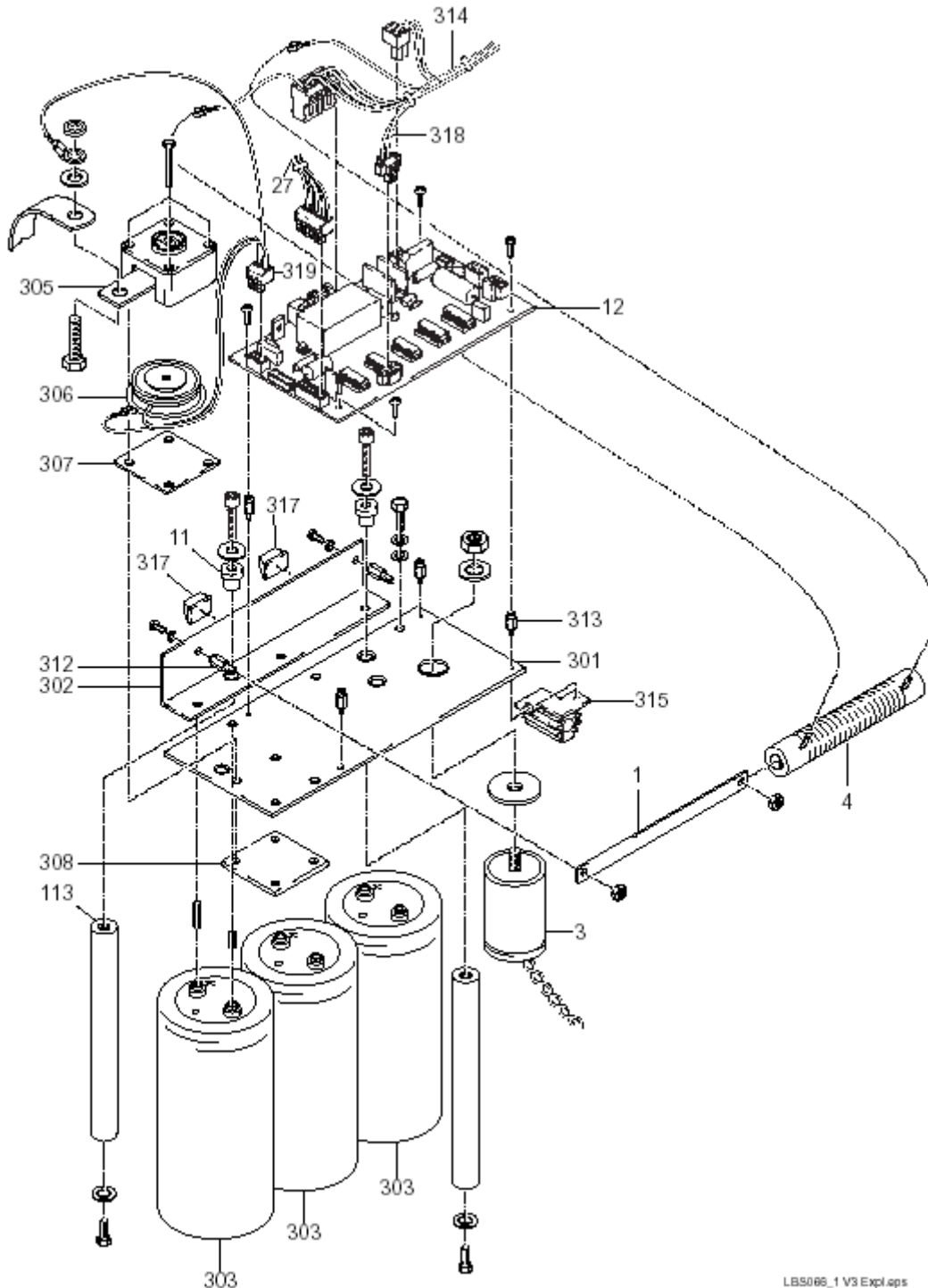
83 Vermont Ave., Unit 6, Warwick, RI 02888
 Tel: (401) 732-6333 Fax: (401) 732-6336
 cutlass-studwelding.com

Stud Welding...

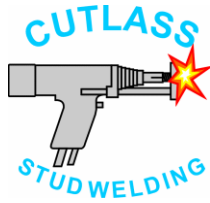
- Fasteners
- Equipment
- Service

CLASSIC+ PARTS LIST

CLASSIC CONTROLLER PARTS (continued)



LB5086_1 V3 Expl.aps



Cutlass Fasteners, Inc.

83 Vermont Ave., Unit 6, Warwick, RI 02888

Tel: (401) 732-6333 Fax: (401) 732-6336

cutlass-studwelding.com

Stud Welding...

- Fasteners
- Equipment
- Service

CLASSIC+ PARTS LIST

Item	Qty.	Article no.	Part / Assembly
-	1	90-30-2024	Power unit LBS 066 complete
1	1	80-40-1283	Resistor holder LBS 066
2	2	80-40-1276	Board bracket 066
3	1	89-54-1012	Resistor 3K3 2W
3	1	80-52-1013	Capacitor E 4700U/100V mit Isoscheiben I8-18
4	1	80-54-1010	Resistor 3R 70W
6	1	80-10-1115	Rotary button 28mm
7	1	80-10-1117	Arrow 28mm
8	1	80-10-1116	Cap 28mm
9	1	80-50-1027	Main switch
11	4	80-40-1280	Insulating bush LBS 066
12	1	80-60-1166	Board LBS05/STD, compatible with 80-60-1066
13	1	80-60-1055	Board LED-FP / Series 066
14	1	80-60-1063	Board, NTG-Thü-oNF
16	4	80-10-1173	Spacer bolt 6K10IAM4ST
18	2	80-10-1035	Distance bush 7x15-3
21	1	80-72-1040	Cable harness LBS 066 / mains
22	1	80-72-1073	Ribbon cable L6/220
24	1	80-72-1045	Ribbon cable L14/255
26	1	80-72-1069	Ribbon cable L4/160
27	1	80-75-1012	Control cable module BE7/S6
101	1	89-40-1400	Base plate LBS 066 RAL 9005, new version
102	1	82-40-1401	Back wall LBS 066 RAL 9005, new version
103	1	89-30-1403	Front panel LBS 066 RAL 9005 with screen print, new version
104	1	82-40-1405	Cover LBS 066 RAL 2002, new version
106	4	80-10-1020	Housing foot 25/12
107	1	80-40-1277	Cardboard insert LBS 066
108	1	80-10-1038	Screwed cable gland PG9
109	1	80-10-1024	Nut PG9
111	1	80-50-1016	Power cable
112	1	80-10-1214	Handle LE 700
113	2	80-40-1273	Spacer bolt 10-168-M5
114	2	80-40-1691	Distance bush 8x10.5-4.5
116	1	80-60-1062	Board
200	1	80-35-1061	Assembly control transformer LBS 066/S3

Item	Qty.	Article no.	Part / Assembly
201	1	80-65-1040	Transformer
202	1	80-60-1053	Board (no replacement part)
203	1	80-50-1136	Varistor S14K250
204	2	80-50-1031	Fine-wire fuse 4AF
205	1	80-50-1030	Fine-wire fuse 1AM
208	1	80-10-1165	Connecting bridge
300	1	80-35-1095	Capacitor battery 066 01
301	1	80-40-1275	Bus bar - LBS 066
302	1	80-40-1274	Bus bar + LBS 066
303	3	80-52-1012	Capacitor E22.000/200
305	1	80-10-1017	Clamping cap 46x46/L
306	1	80-51-1011	Thyristor SKT 491/04
307	1	80-40-1041	Copper clad aluminium plate
308	1	80-40-1044	Clamping plate 50x50
312	2	80-10-1047	Spacer bolt 6K15IAM4ST
313	4	80-10-1177	Spacer bolt 6K18IAM4ST
314	1	80-75-1023	Cable set LBS 066/KB 01
315	1	80-54-1221	Resistor 220R20W
317	1	80-10-1037	Housing foot 20x20
318	1	80-75-1024	Cable set LBS 066/LE 01
319	1	80-50-1118	Socket cable 3/3.81
401	1	89-30-1404	Socket plate 160x93mm, 9011, with screen print P/M
402	2	80-50-1022	Panel socket BE50
403	1	80-40-1285	Copper fabric tape 230mm
404	1	80-40-1394	Copper fabric tape 195mm
406	1	80-40-1272	Diode bracket LBS 066
407	1	80-51-1012	Diode SKR240/04