

# Cutlass Fasteners, Inc.

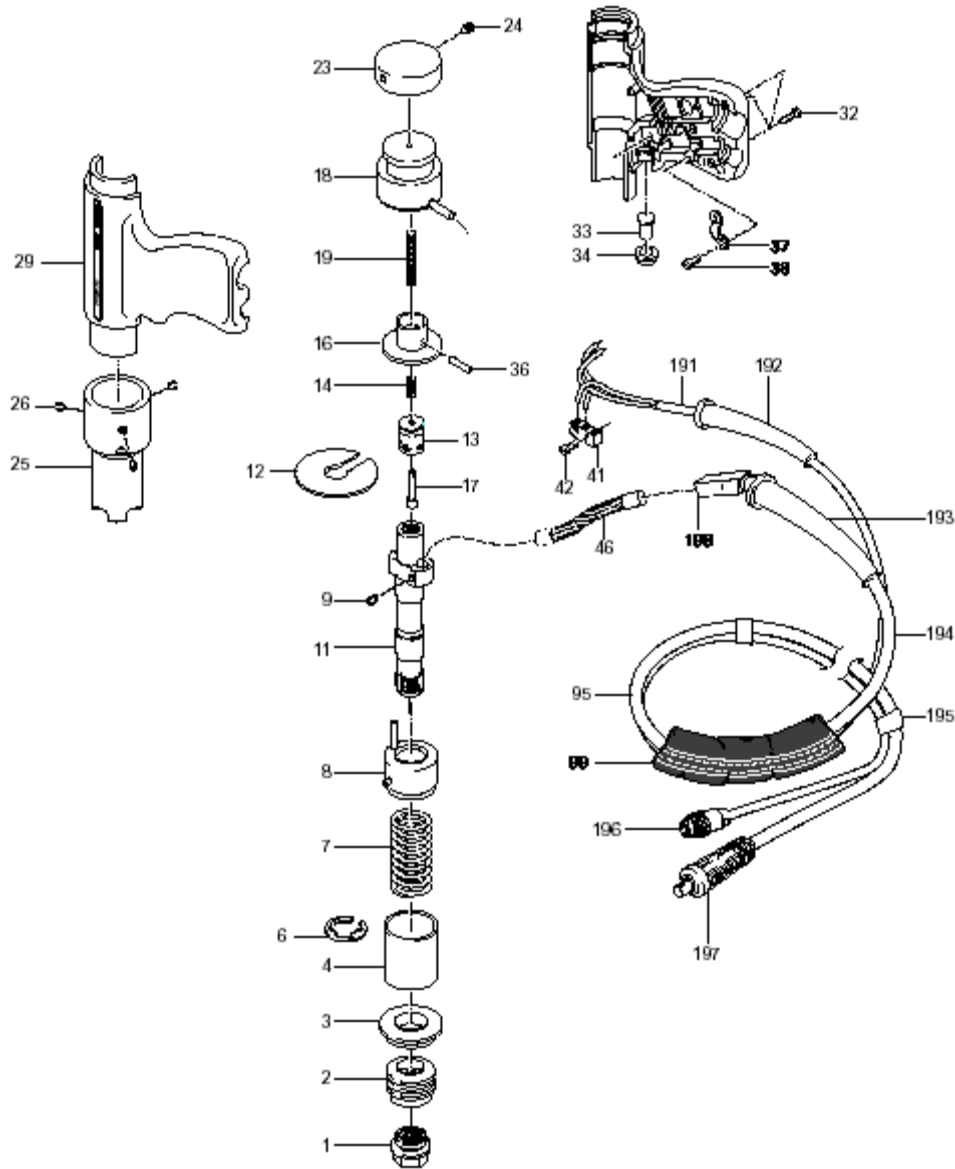
83 Vermont Ave., Unit 6, Warwick, RI 02888  
 Tel: (401) 732-6333 Fax: (401) 732-6336  
 cutlass-studwelding.com

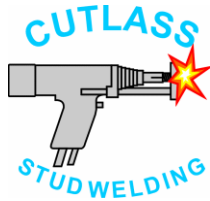
## Stud Welding...

- Fasteners
- Equipment
- Service

# PHM-10 SHORT CYCLE WELD GUN PARTS LIST

## PHM-10 PARTS





# Cutlass Fasteners, Inc.

83 Vermont Ave., Unit 6, Warwick, RI 02888  
 Tel: (401) 732-6333 Fax: (401) 732-6336  
 cutlass-studwelding.com

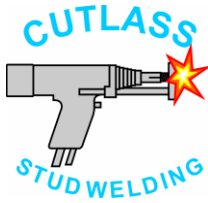
## Stud Welding...

- Fasteners
- Equipment
- Service

## PHM-10 SHORT CYCLE WELD GUN PARTS LIST

### PHM-10 PARTS LIST

ITEM	PART NO.	DESCRIPTION	QTY
	PHM-10		1
1	80-40-1014	COLLET LOCK NUT	1
2	80-40-1097	BELLOWS	1
3	80-40-1023	INSULATING BUSH	1
4	80-40-1021	GUIDE BUSH	1
6	80-15-1023	CIRCLIP	1
7	80-40-1115	MAIN SPRING	1
8	80-40-1022	SPINDLE SLEEVE	1
9	80-15-1011	M5 X 8 SET SCREW	1
10	80-40-1568	SOLENOID PIN	1
11	80-40-1271	SPINDLE PHM-10	1
12	80-40-1193	SPLIT LIFT WASHER	1
13	80-40-1489	BALL CARRIER	1
14	80-10-1240	LIFT SPRING	1
16	80-40-1491	LIFT BODY	1
18	80-30-1040	SOLENOID	1
19	80-40-1416	SOLENOID SPRING	1
23	80-40-1189	BACK CAP	1
25	90-50-1012	TEMPLATE ADAPTOR(optional)	1
26	80-15-1010	M5 X 4 SET SCREW	3
29	80-40-1602	GUN BODY	1
32	80-15-1013	HANDLE SCREW	3
33	80-40-1016	TRIGGER BUTTON	1
34	80-40-1017	TRIGGER SLEEVE	1
36	80-15-1078	LIFT PIN	1
37	80-10-1015	CABLE CLAMP	1
38	80-15-1076	M2.5 X 6 SCREW	2
41	80-50-1013	TRIGGER SWITCH	1
42	80-15-1015	M2 X 10 SCREW	2
46	80-72-1135	INTERNAL WELD CABLE	1
95	80-72-1018	COMPLETE CABLE ASSY. DINSE	1



# Cutlass Fasteners, Inc.

83 Vermont Ave., Unit 6, Warwick, RI 02888

Tel: (401) 732-6333 Fax: (401) 732-6336

cutlass-studwelding.com

## Stud Welding...

- Fasteners
- Equipment
- Service

## PHM-10 SHORT CYCLE WELD GUN PARTS LIST

### PHM-10 PARTS LIST

ITEM	PART NO.	DESCRIPTION	QTY
	PHM-10		1
191	80-72-1029	CONTROL CABLE ASSY.	1
192	80-10-1011	CONTROL CABLE SLEEVE	1
193	80-30-1019	WELD CABLE SLEEVE	1
194	80-50-1350	#2 WELD CABLE ASSY.	1
195	600-627	CABLE SLEEVE	10
196	80-50-1010	CONTROL PLUG	1
197	650-669	WELD PLUG DINSE	1
198	80-35-1135	CONTACT BLOCK	1